

PLEASE READ ALL OF THE INFORMATION ON THIS SHEET BEFORE PROCEEDING

To maintain safety and performance, your folding umpire stand should be inspected and serviced annually by **Universal Services** or equivalent.

Your folding umpire stand will provide many years of excellent service. There are however, important points covered in this leaflet that must be observed in order to ensure the safety of all users.

Assembly:

1. Locate the umpire stand fixing bracket into the back of dummy volleyball post, (the post without the winch) ensuring the bracket is pushed in as far as possible.
2. Tighten both grub screws with the allen key provided (Fig.1).
3. Set up both volleyball posts ensuring both are firmly fixed to the floor.
4. Place the umpire stand on its side, pivot the platform and the rails upward.
5. Secure platform by tighten hand wheel fully until no thread is left protruding (Fig.2).

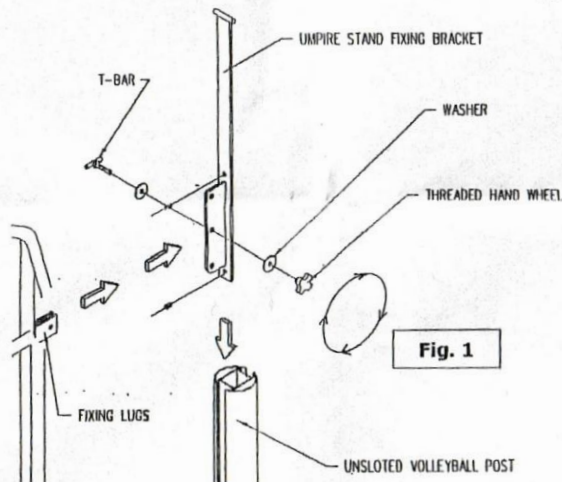


Fig. 1

Attach the diagonal brace (Fig. 3) and secure it so it cannot become detached.

6. Set the adjustable legs of the umpire stand to the desired height ensuring that hand wheel is tight and pin is located in the hole on the legs (Fig 4).
7. Line the fixing lugs on the umpire stand up with the corresponding hole on the fixing bracket so that the platform is horizontal then using the T-bar, washers, and the threaded hand wheel fix into place. (IMPORTANT! Ensure the T-bar and hand wheel are fully tightened at all times).
8. To fold umpire stand flat (Fig.5) please reverse above procedure.

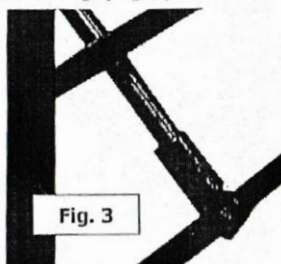


Fig. 3

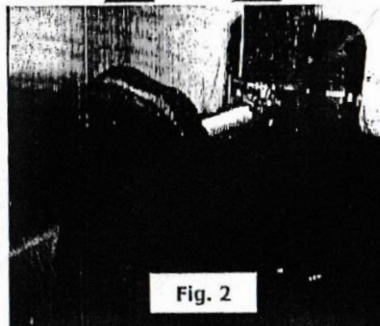


Fig. 2

Safety checks prior to use:

1. Ensure that Volleyball post is fixed to the floor.
2. Ensure that connection between umpire stand and volleyball post is fully tightened.
3. Ensure that safety hook and safety catch are in place and secured.
4. Ensure that all fixings are secure and have not worked loose.



Fig. 4

Instruction of use:

To climb up, red chain must be detached from upright by releasing carabiner clip, and re-attached back once umpire is in position. To climb down please reverse procedure.

Warning:

Do not climb on to the umpire stand when in stored position (Fig.5). This umpire stand must be checked prior to every use. This umpire stand is designed for indoor use only. Ensure both hand wheel and brace are securely fixed in place prior to every use.

Maintenance:

It is advised to clean the climbing frame regularly in order to make any possible problems more visible.

Routinely:

Ensure all fixings are tight and in place. Ensure castors and wheels are rotating and turning freely. If any faults found, immediately take out of use and arrange repair. For spares and repair contact Universal Services.

Padding:

If safety padding was purchased with folding umpire stand, platform padding must be taken off before stand can be folded flat. Padding can be removed by simply releasing straps from its attachment points (Fig.6).

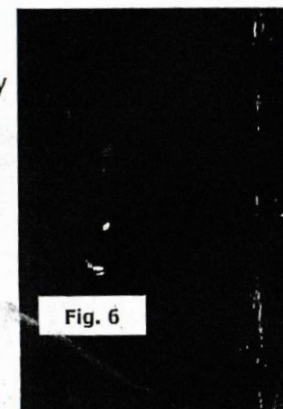


Fig. 6

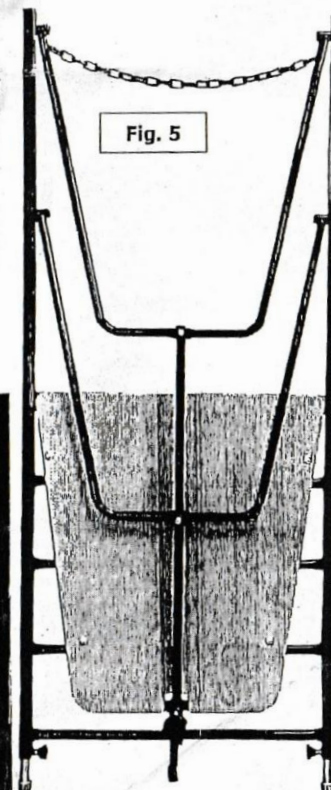


Fig. 5